

# 2161

## STANDARD SPECIFICATIONS

### TRIM

Cold rolled 20 GA steel, formed with spinning and die punch tooling. The assembly also features machined steel spacers and is assembled with solid brass hardware. The stems and canopy are cold rolled steel, attached to the pan with steel hardware.

### DIFFUSER

Translucent, UV stabilized white acrylic. The diffuser is injection molded allowing for a uniform standard thickness of 0.060" throughout.

### PAN

Cold rolled steel design, formed with die punch tooling, and finished in a high reflectance powder coat white.

### ELECTRICAL

Quad CFL, 4-pin G24q Base 2700K lamp – 120-277V Electronic HPF Ballast  
 Triple CFL, 4-pin GX24Q Base 2700K lamp – 120-277V Electronic HPF Ballast  
 GU24 CFL, 2-prong Base 2700K lamp – 120V Electronic NPF Ballast

Brownlee Lighting does not recommend GU24 base lamps for 24 hour operation due to lamp manufacturer specifications.

Fluorescent fixtures utilizing an occupancy sensor should include a programmed start HPF ballast. Fluorescent lamps powered by instant start or rapid start ballasts, or GU24 base compact fluorescent lamps used in this application may result in severely shortened lamp life and/or ballast damage.

### MOUNTING

Directly to j-box (by others). Mounting hardware included.

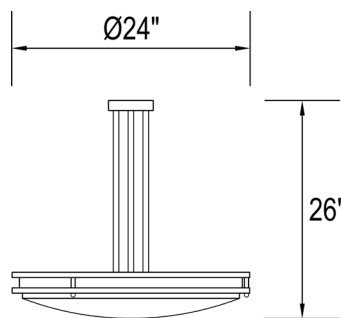
### FINISH

The 2161 series is available in all Brownlee paint finishes as a standard offering.

<b>PROJECT:</b>
<b>MODEL #:</b>
<b>FIXTURE TYPE:</b>



BL finish



DAMP

## ORDERING INFORMATION

**2161** - \_\_\_\_\_ - \_\_\_\_\_ - \_\_\_\_\_  
 Model                      2.                      3.                      4. (if required)

### 2. FINISH

#### STANDARD

- BL** Black
- BZ** Bronze
- GM** Gun Metal
- MB** Metallic Bronze
- MG** Metallic Gold
- NT** Nickel Tone
- PL** Platinum
- WH** White

#### CUSTOM

Provide color sample or RAL code to match

### 3. WATTAGE

- 413Q** 4-13W Quad CFL, elec. HPF
- 318Q** 3-18W Quad CFL, elec. HPF
- 418Q** 4-18W Quad CFL, elec. HPF
- 226Q** 2-26W Quad CFL, elec. HPF
- 326Q** 3-26W Quad CFL, elec. HPF
- 426Q** 4-26W Quad CFL, elec. HPF
  
- 432T** 4-32W Triple CFL, elec. HPF
- 442T** 4-42W Triple CFL, elec. HPF
  
- 413G** 4-13W GU24 CFL, elec. NPF
- 318G** 3-18W GU24 CFL, elec. NP

### 4. AVAILABLE OPTIONS

- BAC** Buy American Compliant
- BBI<sup>1</sup>** Integral Battery Backup (Q only, adds 2" to depth)
- DIM1** Dimming Ballast (120V) (Q only)
- DIM2** Dimming Ballast (277V) (Q only)
- ES** ENERGY STAR® (226Q, 326Q & 426Q only)

1) BBI & BBR options have an operating temperature of +32°F to +122°F. BBIC & BBRC options have an operating temperature of -4°F to +131°F. BBR & BBRC are field installed options available on all HPF fluorescent (CFL & T8) fixtures, except those with dimming ballasts. The maximum distance between the battery and the fixture is 10' for HPF ballasts.

### Specifications and dimensions subject to change without notice.

Consult your Brownlee Lighting representative for availability and ordering information.