

PRINCETON TRIPLE

STANDARD SPECIFICATIONS

TRIM

Cold rolled 20 GA steel, formed with spinning and die punch tooling. The assembly also features machined steel spacers and is assembled with solid brass hardware. The stems and canopy are cold rolled steel, attached to the pan with steel hardware.

DIFFUSER

Translucent, UV stabilized white acrylic. The diffuser is injection molded allowing for a uniform standard thickness of 0.060" throughout.

PAN

Cold rolled steel design, formed with die punch tooling, and finished in a high reflectance powder coat white.

LED PERFORMANCE - 3500K STANDARD

120-277V - 3500K, 82 CRI - L80 rating - 60,000 hrs - L70 rating (projected) - 100,000 hrs

Amperage rated @ 110V input

Operating ambient temperature: -20°C / -4°F - 40°C / 104°F

Delivered 3500K lumens noted. Consult Brownlee.com for performance of all CCTs.

C24 - 23W nominal, .20 A input - 2751 lm. Dimmable (0-10V).

C37 - 35W nominal, .30 A input - 4083 lm. Dimmable (0-10V).

C49 - 45W nominal, .40 A input - 5444 lm. Dimmable (0-10V).

MOUNTING

Directly to j-box (by others). Mounting hardware included.

FINISH

The 2161 series is available in all Brownlee paint finishes as a standard offering.

WARRANTY

5 year limited warranty on this LED product. Consult factory for details.

ORDERING INFORMATION

2161 - _____
 Model 2. 3. 4. 5. (if required)

2. FINISH

STANDARD

- BL** Black
- BZ** Bronze
- GM** Gun Metal
- MB** Metallic Bronze
- MG** Metallic Gold
- NT** Nickel Tone
- PL** Platinum
- WH** White

CUSTOM

Provide color sample or RAL code to match

3. WATTAGE

- C24** 23W C Series LED
- C37** 35W C Series LED
- C49** 45W C Series LED

4. COLOR TEMPERATURE

- 35K** 3500K standard color temperature
- 27K** 2700K color temperature
- 30K** 3000K color temperature
- 40K** 4000K color temperature

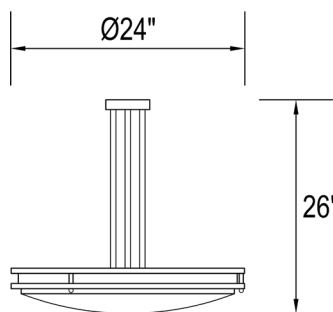
5. AVAILABLE OPTIONS

- 90R⁰** 90 CRI (3000K only)
- BAC¹** Buy American Compliant
- BLD^{3**}** Bi-Level Dimming
- DTR⁴** Triac (Line Voltage) Dimming (120V)
- ES⁶** ENERGY STAR® (Not available in 90 CRI)
- FCL⁷** French Canadian Labels
- OCC⁸** Occupancy Sensor
- T24⁹** Title 24 Compliant (C24 & C49 in 3000K only)

PROJECT:
MODEL #:
FIXTURE TYPE:



BL finish



DAMP



Notes: (0) **90R** - cannot be combined with ES or T24 (1) **BAC** - cannot be combined with FCL (2) **BBI/BBS/BBC** - cannot be combined with DTR, ECW, EXT, or T24 (3) **BLD** - cannot be combined with DTR, OCC, or T24 (4) **DTR** - cannot be combined with BBI, BBC, BBS, BLD or T24 (5) **ECW** - cannot be combined with BBI, BBC, or DTR (6) **ES** - cannot be combined with 90R, FCL, or T24 (7) **FCL** - cannot be combined with BAC, ES, or T24 (8) **OCC** - cannot be combined with BLD (9) **T24** - cannot be combined with 90R, BBI, BBC, BBS, BLD, DTR, ES, or FCL (10) **BBS** - cannot be combined with BLD, DTR, ECW, EXT, OCC, or T24 (11) **PCH/PC4** - cannot be combined with BLD or OCC

Add'l Notes: ***BBI/BBS/BBC** - standard BBI (and BBS) option has a minimum operating temperature of 10C/50F. BBC option has a minimum operating temperature of -20C/-4F. ****BLD** - Bi-Level Dimming is field adjustable from 100% to a dimmed light level of 10, 20, 30, or 50%. All units are factory set at 50%.

Specifications and dimensions subject to change without notice.

Consult your Brownlee Lighting representative for availability and ordering information.