

OPAL [D1]

STANDARD SPECIFICATIONS

HOUSING

Cold rolled steel, formed in a die, finished with an electroplated brushed nickel coating that will withstand most nicks and scratches. The housing can be mounted vertical or horizontal.

DIFFUSER

Glass cylinder, white finished interior and etched exterior to disguise the light source. The cylinder is bonded with adhesive to a carbon steel threaded ring that screws into the cup holder for a secure installation.

ELECTRICAL

GU24 LED, 2-prong Base 3000K lamp - 120V - Lifetime Rating: 25,000 hours
 GU24 CFL, 2-prong Base 2700K lamp - 120V Electronic NPF Ballast

Brownlee Lighting does not recommend GU24 base lamps for 24 hour operation due to lamp manufacturer specifications.

GU24 base compact fluorescent lamps used with an occupancy sensor may result in severely shortened lamp life and/or ballast damage.

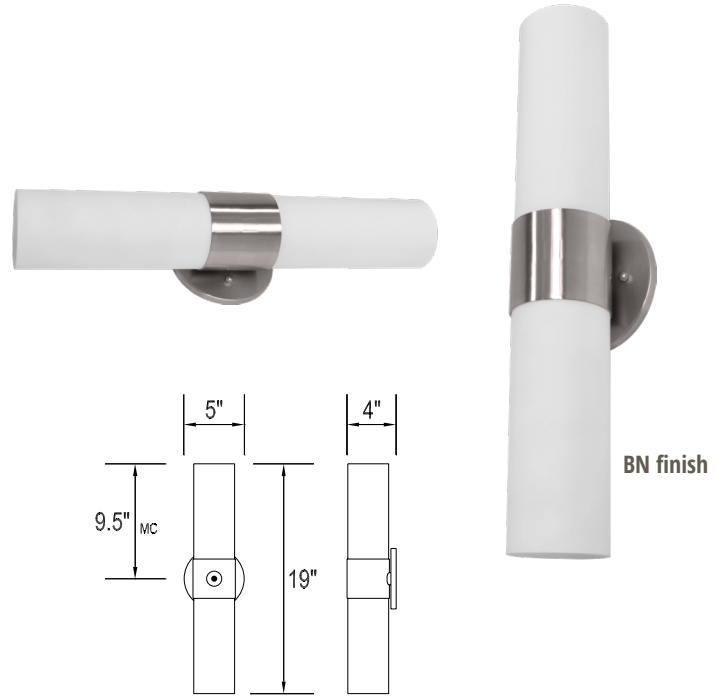
MOUNTING

The 1476 series is designed to be mounted directly to a j-box (by others). Can be mounted vertically or horizontally. Mounting hardware included.

FINISH

The standard finish is a sturdy electroplated brushed nickel. Options include all Brownlee paint finishes. Plated finishes such as Brushed Nickel are suitable for indoor applications only. Installation outdoors voids the Brownlee Limited Warranty.

PROJECT:
MODEL #:
FIXTURE TYPE:



ORDERING INFORMATION

1476 - - - -
 Model 2. 3. 4.

2. FINISH

STANDARD
BN Brushed Nickel

OPTIONAL
BL Black
BZ Bronze
GM Gun Metal
MB Metallic Bronze
MG Metallic Gold
NT Nickel Tone
PL Platinum
WH White

CUSTOM
 Provide color sample or RAL code to match

3. WATTAGE

G14 2-7W GU24 LED - 900 lm, 65 lm/W
213G 2-13W GU24 CFL, elec. NPF
218G 2-18W GU24 CFL, elec. NPF

4. AVAILABLE OPTIONS

BAC¹ Buy American Compliant
ES⁶ ENERGY STAR® (G14 only)
FCL⁷ French Canadian Labels

Notes: (0) 90R - cannot be combined with ES or T24 (1) BAC - cannot be combined with FCL (2) BBI/BBS/BBC - cannot be combined with DTR, ECW, EXT, or T24 (3) BLD - cannot be combined with DTR, OCC, or T24 (4) DTR - cannot be combined with BBI, BBC, BBS, BLD or T24 (5) ECW - cannot be combined with BBI, BBC, or DTR (6) ES - cannot be combined with 90R, FCL, or T24 (7) FCL - cannot be combined with BAC, ES, or T24 (8) OCC - cannot be combined with BLD (9) T24 - cannot be combined with 90R, BBI, BBC, BBS, BLD, DTR, ES, or FCL (10) BBS - cannot be combined with BLD, DTR, ECW, EXT, OCC, or T24 (11) PCH/PC4 - cannot be combined with BLD or OCC

Add'l Notes: *BBI/BBS/BBC - standard BBI (and BBS) option has a minimum operating temperature of 10C/50F. BBC option has a minimum operating temperature of -20C/-4F. **BLD - Bi-Level Dimming is field adjustable from 100% to a dimmed light level of 10, 20, 30, or 50%. All units are factory set at 50%.

Specifications and dimensions subject to change without notice.

Consult your Brownlee Lighting representative for availability and ordering information.