

7710

STANDARD SPECIFICATIONS

TRIM

UV stabilized polycarbonate, injection molded one piece trim, with uniform 0.125" thickness. The color is molded throughout and the stainless steel hardware is captured in place.

DIFFUSER

UV stabilized polycarbonate, injection molded in a frosted 0.125" thick prismatic diffuser. Optional diffuser available in white polycarbonate.

HOUSING

Die-cast, one piece marine grade aluminum available in two depths. 6" deep housing has threaded conduit plugs on four sides.

ELECTRICAL

Quad CFL, 4-pin G24q Base 2700K lamp – 120-277V Electronic HPF Ballast
Triple CFL, 4-pin GX24Q Base 2700K lamp – 120-277V Electronic HPF Ballast

Fluorescent fixtures utilizing an occupancy sensor should include a programmed start HPF ballast. Fluorescent lamps powered by instant start or rapid start ballasts, or GU24 base compact fluorescent lamps used in this application may result in severely shortened lamp life and/or ballast damage.

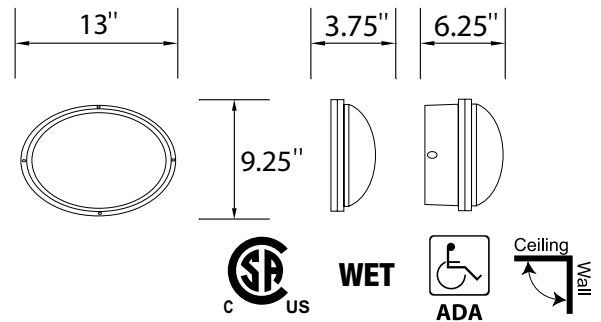
MOUNTING

Directly to j-box (by others). Mounting hardware included. The 6" version can be anchored to the surface for conduit entry.

FINISH

Brownlee offers four standard finishes.

PROJECT:
MODEL #:
FIXTURE TYPE:



ORDERING INFORMATION

7710 - _____ - _____ - _____ - _____
Model 2. 3. 4. 5. (if required)

2. SIZE

- 4 4" depth
- 6 6.25" depth*

*6.25" depth does not meet ADA requirements.

3. FINISH

- BL** Black
- BZ** Bronze
- TI** Titanium
- WH** White

4. WATTAGE

4 SIZE

- 13Q** 1-13W Quad CFL, elec. HPF
- 18Q** 1-18W Quad CFL, elec. HPF
- 26Q** 1-26W Quad CFL, elec. HPF

6 SIZE

- 13Q** 1-13W Quad CFL, elec. HPF
- 213Q** 2-13W Quad CFL, elec. HPF
- 18Q** 1-18W Quad CFL, elec. HPF
- 26Q** 1-26W Quad CFL, elec. HPF

- 32T** 1-32W Triple CFL, elec. HPF
- 42T** 1-42W Triple CFL, elec. HPF

5. AVAILABLE OPTIONS

- BAC** Buy American Compliant
- ES** ENERGY STAR® (26Q only)
- PO1** Photo Control (120V) (6 size only)
- PO2** Photo Control (208V, 240V, 277V) (6 size only)
- T** Tamper Resistant Hardware and Tool
- WP** White Polycarbonate Diffuser

ACCESSORIES (field installed)

- BBR¹** Remote Battery Backup (Q & T only)
- BBRC¹** Remote Battery Backup, Cold Weather (Q & T only)

1) BBI & BBR options have an operating temperature of +32°F to +122°F. BBIC & BBRC options have an operating temperature of -4°F to +131°F. BBR & BBRC are field installed options available on all HPF fluorescent (CFL & T8) fixtures, except those with dimming ballasts. The maximum distance between the battery and the fixture is 10' for HPF ballasts.

Specifications and dimensions subject to change without notice.

Consult your Brownlee Lighting representative for availability and ordering information.