

7618

STANDARD SPECIFICATIONS

FRAME

Heavy duty cold rolled steel. The main frame is formed 18 GA, welded to 16 GA roll formed bands. The optional trim bars are solid 0.50" thick aluminum, held in place by fasteners. This fixture is not recommended for installation along coastal areas. Contact factory for further details.

DIFFUSER

Translucent, UV stabilized, white acrylic. Diffuser is form molded allowing for a uniform standard thickness of 0.100" throughout.

PAN

Heavy duty formed aluminum, featuring aluminum thread inserts to prevent rusting of fasteners.

ELECTRICAL

T5HO Linear Fluorescent, bipin lamp (by others) – 120-277V Electronic HPF Ballast

Fluorescent fixtures utilizing an occupancy sensor should include a programmed start HPF ballast. Fluorescent lamps powered by instant start or rapid start ballasts used in this application may result in severely shortened lamp life.

MOUNTING

The 7618 series is designed to be mounted directly to the wall with (4) 1/4" anchors (not included).

FINISH

All 7618 parts are prepared using a three step pre-treatment/sealing process, followed by a powder coat primer prior to applying any of the Brownlee paint finishes.

PROJECT:
MODEL #:
FIXTURE TYPE:



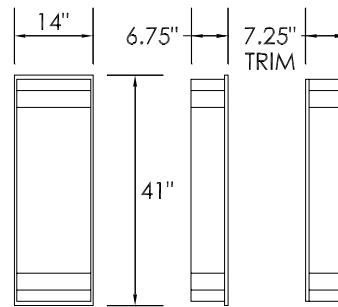
BL finish, VB1 trim



BL finish, VB2 trim



BL finish, VB0 trim



ORDERING INFORMATION

7618 - - - - -
 Model 2. 3. 4. 5. (if required)

2. FINISH

STANDARD

- AB** Antique Bronze
- BL** Black
- BZ** Bronze
- DB** Desert Bronze
- GM** Gun Metal
- MB** Metallic Bronze
- NT** Nickel Tone
- PL** Platinum
- WH** White

CUSTOM

Provide color sample or RAL code to match

3. WATTAGE

239L 2-39W T5HO, elec. HPF

4. TRIM

- VB0** No trim
- VB1** 1 vertical bar
- VB2** 2 vertical bars

5. AVAILABLE OPTIONS

BAC Buy American Compliant