

7618 LED

STANDARD SPECIFICATIONS

FRAME

Heavy duty cold rolled steel. The main frame is formed 18 GA, welded to 16 GA roll formed bands. The optional trim bars are solid 0.50" thick aluminum, held in place by fasteners. This fixture is not recommended for installation along coastal areas. Contact factory for further details.

DIFFUSER

Translucent, UV stabilized, white acrylic. Diffuser is form molded allowing for a uniform standard thickness of 0.100" throughout.

PAN

Heavy duty formed aluminum, featuring aluminum thread inserts to prevent rusting of fasteners.

LED PERFORMANCE - 3500K STANDARD

120-277V - 3500K, 82 CRI - L80 rating - 60,000 hrs - L70 rating (projected) - 100,000 hrs
 Amperage rated @ 110V input
 Dimming compatible - 0-10V control required
 Operating ambient temperature: -20°C / -4°F - 40°C / 104°F

Standard 3500K source lumens noted. Consult Brownlee.com for performance of all CCTs.
 H32 - 32W nominal, .26 A input - 4119 lm - 130 lm/W. Dimmable (0-10V).
 H41 - 41W nominal, .35 A input - 5400 lm - 132 lm/W. Dimmable (0-10V).

MOUNTING

The 7618 series is designed to be mounted directly to the wall with (4) 1/4" anchors (not included).

FINISH

All 7618 parts are prepared using a three step pre-treatment/sealing process, followed by a powder coat primer prior to applying any of the Brownlee paint finishes.

WARRANTY

5 year limited warranty on this LED product. Consult factory for details.

PROJECT:
MODEL #:
FIXTURE TYPE:



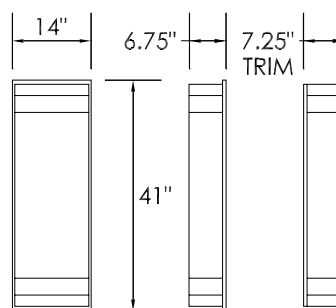
BL finish, VB1 trim



BL finish, VB2 trim



BL finish, VB0 trim



ORDERING INFORMATION

7618 - - - - - -
 Model 2. 3. 4. 5. 6. (if required)

2. FINISH

STANDARD

- AB** Antique Bronze
- AS** Antique Silver
- BL** Black
- BZ** Bronze
- DB** Desert Bronze
- GM** Gun Metal
- MB** Metallic Bronze
- NT** Nickel Tone
- PL** Platinum
- WH** White

CUSTOM

Provide color sample or RAL code to match

3. WATTAGE

- H32** 32W H Series LED
- H41** 41W H Series LED

4. TRIM

- VB0** No trim
- VB1** 1 vertical bar
- VB2** 2 vertical bars

5. COLOR TEMPERATURE

- 35K** 3500K standard color temperature
- 27K** 2700K color temperature
- 30K** 3000K color temperature
- 40K** 4000K color temperature

6. AVAILABLE OPTIONS

- BAC¹** Buy American Compliant
- BLD^{3**}** Bi-Level Dimming
- ES⁶** ENERGY STAR® (H32 Only)
- FCL⁷** French Canadian Labels
- OCC⁸** Occupancy Sensor

Notes: (0) 90R - cannot be combined with ES or T24 (1) BAC - cannot be combined with FCL (2) BBI/BBS/BBC - cannot be combined with DTR, ECW, EXT, or T24 (3) BLD - cannot be combined with DTR, OCC, or T24 (4) DTR - cannot be combined with BBI, BBC, BBS, BLD or T24 (5) ECW - cannot be combined with BBI, BBC, or DTR (6) ES - cannot be combined with 90R, DTR, FCL, or T24 (7) FCL - cannot be combined with BAC, ES, or T24 (8) OCC - cannot be combined with BLD (9) T24 - cannot be combined with 90R, BBI, BBC, BBS, BLD, DTR, ES, or FCL (10) BBS - cannot be combined with BLD, DTR, ECW, EXT, OCC, or T24 (11) PCH/PC4 cannot be combined with BL D or OCC

Add'l Notes: *BBI/BBS/BBC - standard BBI (and BBS) option has a minimum operating temperature of 10C/50F. BBC option has a minimum operating temperature of -20C/-4F. **BLD - Bi-Level Dimming is field adjustable from 100% to a dimmed light level of 10, 20, 30, or 50%. All units are factory set at 50%.

Specifications and dimensions subject to change without notice.

Consult your Brownlee Lighting representative for availability and ordering information.

