

7335 LED

STANDARD SPECIFICATIONS

HOUSING

The modern design is a one piece housing assembly with the diffuser held in place by formed rails. The assembly consists of formed, cold rolled steel parts that welded and fastened with hardware. Two decorative solid steel diffuser panels complete the look. This fixture is not recommended for installation along coastal areas. Contact factory for further details.

DIFFUSER

A simple white UV stabilized acrylic panel provides an understated elegance to this sleek design.

LED PERFORMANCE - 3500K STANDARD

120-277V - 3500K, 82 CRI - L80 rating - 60,000 hrs - L70 rating (projected) - 100,000 hrs

Amperage rated @ 110V input

Dimming compatible - 0-10V control required

Operating ambient temperature: -20°C / -4°F - 40°C / 104°F

Standard 3500K source lumens noted. Consult Brownlee.com for performance of all CCTs.

H16 - 16W nominal, .14 A input - 2076 lm - 126 lm/W. Dimmable (0-10V).

H21 - 21W nominal, .18 A input - 2675 lm - 127 lm/W. Dimmable (0-10V).

H32 - 32W nominal, .26 A input - 4119 lm - 130 lm/W. Dimmable (0-10V).

H41 - 41W nominal, .35 A input - 5400 lm - 132 lm/W. Dimmable (0-10V).

MOUNTING

The 7335 series is designed to be mounted directly to a j-box (by others), and additional wall anchors (by others) at the ends of the fixture.

FINISH

The 7335 series is available in Nickel Tone as a standard, and in all Brownlee paints as an optional offering.

WARRANTY

5 year limited warranty on this LED product. Consult factory for details.

ORDERING INFORMATION

7335 - _____
 Model 2. 3. 4. 5. (if required)

2. FINISH

STANDARD
NT Nickel Tone

OPTIONAL
AB Antique Bronze
AS Antique Silver
BL Black
BZ Bronze
DB Desert Bronze
GM Gun Metal
MB Metallic Bronze
PL Platinum
WH White

CUSTOM
 Provide color sample or RAL code to match

3. WATTAGE

H16 16W H Series LED
H21 21W H Series LED
H32 32W H Series LED
H41 41W H Series LED

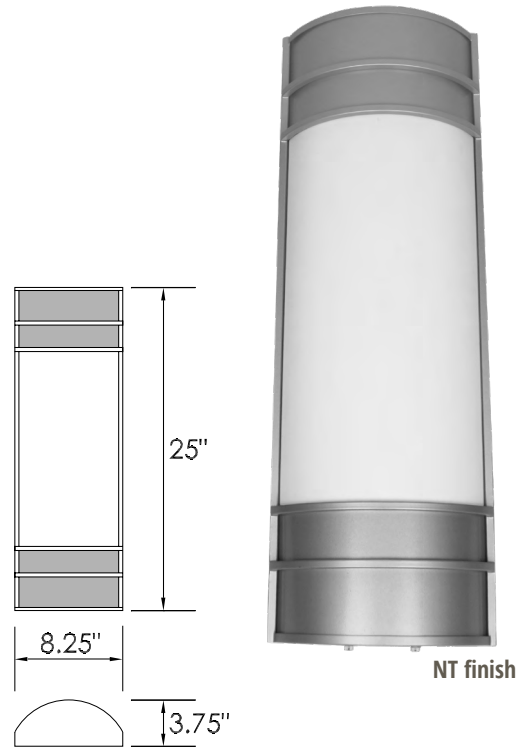
4. COLOR TEMPERATURE

35K 3500K standard color temperature
30K 3000K color temperature
40K 4000K color temperature

5. AVAILABLE OPTIONS

BAC¹ Buy American Compliant
ES⁶ ENERGY STAR® (H16 & H32 Only)
FCL⁷ French Canadian Labels

PROJECT:
MODEL #:
FIXTURE TYPE:



WET



Notes: (0) 90R - cannot be combined with ES or T24 (1) BAC - cannot be combined with FCL (2) BBI/BBS/BBC - cannot be combined with DTR, ECW, EXT, or T24 (3) BLD - cannot be combined with DTR, OCC, or T24 (4) DTR - cannot be combined with BBI, BBC, BBS, BLD or T24 (5) ECW - cannot be combined with BBI, BBC, or DTR (6) ES - cannot be combined with 90R, DTR, FCL, or T24 (7) FCL - cannot be combined with BAC, ES, or T24 (8) OCC - cannot be combined with BLD (9) T24 - cannot be combined with 90R, BBI, BBC, BBS, BLD, DTR, ES, or FCL (10) BBS - cannot be combined with BLD, DTR, ECW, EXT, OCC, or T24 (11) PCH/PC4 cannot be combined with BL D or OCC

Add'l Notes: *BBI/BBS/BBC - standard BBI (and BBS) option has a minimum operating temperature of 10C/50F. BBC option has a minimum operating temperature of -20C/-4F. **BLD - Bi-Level Dimming is field adjustable from 100% to a dimmed light level of 10, 20, 30, or 50%. All units are factory set at 50%.

Specifications and dimensions subject to change without notice.

Consult your Brownlee Lighting representative for availability and ordering information.



REVISED
2019.07.08