



7328 LED

Versatile, sleek, ADA compliant, wet listed. The perfect combination of architectural style and detail makes this fixture an excellent addition to any decor, both exterior and interior. Use the 7328 on your next facade, column, commercial office building, lobby or entryway.

FINISHES



7328 LED

STANDARD SPECIFICATIONS

HOUSING

The modern design is a one piece housing assembly with the diffuser held in place by formed rails. The assembly consists of formed, cold rolled steel parts that welded and fastened with hardware. The decorative trim is cut from 1/4" steel, and fastened directly to the base housing. This fixture is not recommended for installation along coastal areas. Contact factory for further details.

DIFFUSER

A simple white UV stabilized acrylic panel provides an understated elegance to this sleek design.

LED PERFORMANCE - 3500K STANDARD

120-277V - 3500K, 82 CRI - L80 rating - 60,000 hrs - L70 rating (projected) - 100,000 hrs

Amperage rated @ 110V input

Dimming compatible - 0-10V control required

Operating ambient temperature: -20°C / -4°F - 40°C / 104°F

Delivered 3500K lumens noted. Consult Brownlee.com for performance of all CCTs.

H16 - 16W nominal, .14 A input - 968 lm. Dimmable (0-10V).

H21 - 21W nominal, .18 A input - 1159 lm. Dimmable (0-10V).

H32 - 32W nominal, .26 A input - 1916 lm. Dimmable (0-10V).

H41 - 41W nominal, .35 A input - 2340 lm. Dimmable (0-10V).

MOUNTING

The 7328 series is designed to be mounted directly to a j-box (by others), and additional wall anchors (by others) at the ends of the fixture.

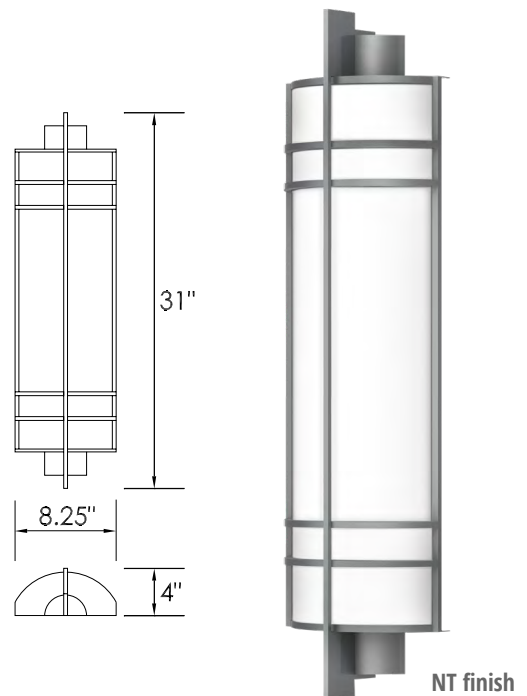
FINISH

The 7328 series is available in Nickel Tone as a standard, and in all Brownlee paints as an optional offering.

WARRANTY

5 year limited warranty on this LED product. Consult factory for details.

PROJECT:
MODEL #:
FIXTURE TYPE:



ORDERING INFORMATION



WET



7328 -

Model 2. 3. 4. 5. (if required)

2. FINISH

STANDARD
NT Nickel Tone

OPTIONAL
AB Antique Bronze
AS Antique Silver
BL Black
BZ Bronze
DB Desert Bronze
GM Gun Metal
MB Metallic Bronze
PL Platinum
WH White

CUSTOM
 Provide color sample or RAL code to match

3. WATTAGE

H16 16W H Series LED
H21 21W H Series LED
H32 32W H Series LED
H41 41W H Series LED

4. COLOR TEMPERATURE

35K 3500K standard color temperature
30K 3000K color temperature
40K 4000K color temperature

5. AVAILABLE OPTIONS

BAC¹ Buy American Compliant
ES⁶ ENERGY STAR® (H16 & H32 Only)
FCL⁷ French Canadian Labels

Notes: (0) 90R - cannot be combined with ES or T24 (1) BAC - cannot be combined with FCL (2) BBI/BBS/BBC - cannot be combined with DTR, ECW, EXT, or T24 (3) BLD - cannot be combined with DTR, OCC, or T24 (4) DTR - cannot be combined with BBI, BBC, BBS, BLD or T24 (5) ECW - cannot be combined with BBI, BBC, or DTR (6) ES - cannot be combined with 90R, FCL, or T24 (7) FCL - cannot be combined with BAC, ES, or T24 (8) OCC - cannot be combined with BLD (9) T24 - cannot be combined with 90R, BBI, BBC, BBS, BLD, DTR, ES, or FCL (10) BBS - cannot be combined with BLD, DTR, ECW, EXT, OCC, or T24 (11) PCH/PC4 - cannot be combined with BLD or OCC

Add'l Notes: *BBI/BBS/BBC - standard BBI (and BBS) option has a minimum operating temperature of 10C/50F. BBC option has a minimum operating temperature of -20C/-4F. **BLD - Bi-Level Dimming is field adjustable from 100% to a dimmed light level of 10, 20, 30, or 50%. All units are factory set at 50%.

Specifications and dimensions subject to change without notice.

Consult your Brownlee Lighting representative for availability and ordering information.



REVISED
2020.02.07