

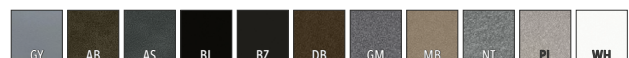


Medium Grey (GY) finish

### 7162 LED

The impact resistant 7162 LED carries an architectural aesthetic that can be utilized both outdoors and indoors. This wet-listed unit is constructed of robust die-cast aluminum, while the diffuser is constructed of stout, 0.10" thick UV stabilized white polycarbonate. Hardware consists of tamper-resistant, stainless steel screws. This versatile unit can be used in a variety of applications such as breezeways, corridors, port-cocheres, stairwells, garages, commercial restrooms and more. It also serves as a decorative, yet durable solution for vandal prone applications such as student housing and schools. Ceiling or wall mount. Battery backup optional.

### FINISHES



# 7162 LED

## STANDARD SPECIFICATIONS

### HOUSING

Heavy duty, marine grade die-cast aluminum construction. The housing features a silicone seal that is positioned on the edge of the opening against the diffuser to prevent water intrusion. Hardware consists of tamper resistant, stainless steel socket drive screws.

### DIFFUSER

Impact resistant, 0.10" thick white polycarbonate. UV stabilized.

### REFLECTOR

Aluminum with a powder coat high reflectance white finish.

### LED PERFORMANCE - 3500K STANDARD

120-277V - 3500K, 82 CRI - L80 rating - 60,000 hrs - L70 rating (projected) - 100,000 hrs  
Amperage rated @ 110V input  
Operating ambient temperature: -20°C / -4°F - 40°C / 104°F

Standard 3500K source lumens noted. Consult Brownlee.com for performance of all CCTs.

B06 - 6W nominal, .05 A input - 700 lm - 117 lm/W. Non-dimming.  
B12 - 12W nominal, .10 A input - 1430 lm - 123 lm/W. Dimmable (0-10V).  
C09 - 9W nominal, .10 A input - 1200 lm - 144 lm/W. Dimmable (0-10V).  
C13 - 13W nominal, .10 A input - 1430 lm - 116 lm/W. Dimmable (0-10V).  
C17 - 16W nominal, .15 A input - 2050 lm - 132 lm/W. Dimmable (0-10V).  
C24 - 23W nominal, .20 A input - 2950 lm - 131 lm/W. Dimmable (0-10V).

### MOUNTING

Directly to j-box (by others). Mounting hardware included. Not available with conduit entry.

### FINISH

The 7162 is finished in a Medium Grey powder coat as a standard offering. Optional finishes available.

### WARRANTY

5 year limited warranty on this LED product. Consult factory for details.

## ORDERING INFORMATION

**7162** -          -          -          -          -           
Model                      2.                      3.                      4.                      5. (if required)

### 2. FINISH

**GY**      **STANDARD**  
          Medium Grey

**OPTIONAL**  
**AB**      Antique Bronze  
**AS**      Antique Silver  
**BL**      Black  
**BZ**      Bronze  
**DB**      Desert Bronze  
**GM**      Gun Metal  
**MB**      Metallic Bronze  
**NT**      Nickel Tone  
**PL**      Platinum  
**WH**      White

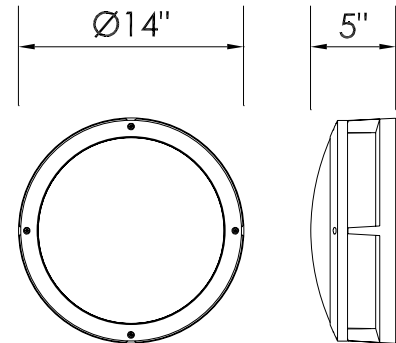
### 3. WATTAGE

**B06**      6W B Series LED  
**B12**      12W B Series LED  
  
**C09**      9W C Series LED  
**C13**      13W Series LED  
**C17**      16W C Series LED  
**C24**      23W C Series LED

Note: Contact factory for higher lumen packages.



GY finish



WET



### 4. COLOR TEMPERATURE

**35K**      3500K standard color temperature  
**27K**      2700K color temperature  
**30K**      3000K color temperature  
**40K**      4000K color temperature

### 5. AVAILABLE OPTIONS

**BAC**<sup>1</sup>      Buy American Compliant  
**BBI**<sup>2\*</sup>      Integral Battery Backup (B06, C09 and C13 only)  
**BLD**<sup>3\*\*</sup>      Bi-Level Dimming (All except B06)  
**DTR**<sup>4</sup>      Triac (Line Voltage) Dimming (120V) (All except B06)  
**ECW**<sup>5</sup>      Extreme Cold Weather (-40°C / -40°F min.)  
**ES**<sup>6</sup>      ENERGY STAR®  
**FCL**<sup>7</sup>      French Canadian Labels  
**OCC**<sup>8</sup>      Occupancy Sensor  
**T24**<sup>9</sup>      Title 24 Compliant (B12, C24 in 3000K only)

**Notes:** (0) 90R - cannot be combined with ES or T24 (1) BAC - cannot be combined with FCL (2) BBI/BBS/BBC - cannot be combined with DTR, ECW, EXT, or T24 (3) BLD - cannot be combined with DTR, OCC, or T24 (4) DTR - cannot be combined with BBI, BBC, BBS, BLD or T24 (5) ECW - cannot be combined with BBI, BBC, or DTR (6) ES - cannot be combined with 90R, DTR, FCL, or T24 (7) FCL - cannot be combined with BAC, ES, or T24 (8) OCC - cannot be combined with BLD (9) T24 - cannot be combined with 90R, BBI, BBC, BBS, BLD, DTR, ES, or FCL (10) BBS - cannot be combined with BLD, DTR, ECW, EXT, OCC, or T24 (11) PCH/PC4 - cannot be combined with BLD or OCC

**Add'l Notes:** \*BBI/BBS/BBC - standard BBI (and BBS) option has a minimum operating temperature of 10C/50F. BBC option has a minimum operating temperature of -20C/-4F. \*\*BLD - Bi-Level Dimming is field adjustable from 100% to a dimmed light level of 10, 20, 30, or 50%. All units are factory set at 50%.

### Specifications and dimensions subject to change without notice.

Consult your Brownlee Lighting representative for availability and ordering information.