

# 5174

# DISCONTINUED

## STANDARD SPECIFICATIONS

### HOUSING

Cold rolled steel, die-formed, and assembled with hardware and welds. The housing can be mounted horizontal or vertical.

### DIFFUSER

Translucent, UV stabilized white acrylic. The extruded material can withstand minor impact without breaking. The decorative trim brackets are attached with hardware.

### ELECTRICAL

T5 Linear Fluorescent, bipin lamp (by others) – 120-277V Electronic HPF Ballast  
T5HO Linear Fluorescent, bipin lamp (by others) – 120-277V Electronic HPF Ballast

Fluorescent fixtures utilizing an occupancy sensor should include a programmed start HPF ballast. Fluorescent lamps powered by instant start or rapid start ballasts, or GU24 base compact fluorescent lamps used in this application may result in severely shortened lamp life and/or ballast damage.

### MOUNTING

Fixture mounts directly to a 2x4 j-box (by others) and has a j-box cover included.

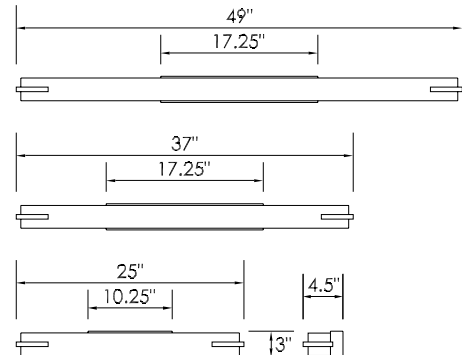
### FINISH

The 5174 series is finished in brushed nickel as a standard. It is available in all Brownlee paint finishes as an optional offering. Plated finishes such as Brushed Nickel are suitable for indoor applications only. Installation outdoors voids the Brownlee Limited Warranty.

PROJECT:
MODEL #:
FIXTURE TYPE:



BN finish



DAMP

## ORDERING INFORMATION

**5174** - \_\_\_\_\_ - \_\_\_\_\_ - \_\_\_\_\_ - \_\_\_\_\_ - \_\_\_\_\_  
 Model                      2.                      3.                      4.                      5. (if required)

### 2. SIZE

- 25** L: 25"
- 37** L: 37"
- 49** L: 49"

### 3. FINISH

**STANDARD**  
**BN** Brushed Nickel

**OPTIONAL**  
**BL** Black  
**BZ** Bronze  
**GM** Gun Metal  
**MB** Metallic Bronze  
**MG** Metallic Gold  
**NT** Nickel Tone  
**PL** Platinum  
**WH** White

**CUSTOM**  
 Provide color sample or RAL code to match

### 4. WATTAGE

- 25 SIZE**  
**14L** 1-14W T5, elec. HPF  
**24L** 1-24W T5HO, elec. HPF
- 37 SIZE**  
**21L** 1-21W T5, elec. HPF  
**39L** 1-39W T5HO, elec. HPF
- 49 SIZE**  
**28L** 1-28W T5, elec. HPF  
**54L** 1-54W T5HO, elec. HPF

### 5. AVAILABLE OPTIONS

**BAC** Buy American Compliant