

1509 LED

STANDARD SPECIFICATIONS

TRIM

Cold rolled steel construction. The 0.250" diameter bars are rolled to encase the glass diffuser, and then welded to each side of the 0.050" rails. The decorative cup seats the end of the diffuser, and is installed with solid brass hardware.

DIFFUSER

Tapered glass, with a white finished interior and an etched outer surface softens the light. The diffuser slips directly into the trim.

PAN

Formed cold rolled steel design, finished in a powder coat high reflectance white paint.

LED PERFORMANCE - 3500K STANDARD

120-277V - 3500K, 82 CRI - L80 rating - 60,000 hrs - L70 rating (projected) - 100,000 hrs
 Amperage rated @ 110V input
 Operating ambient temperature: -20°C / -4°F - 40°C / 104°F

Delivered 3500K lumens noted. Consult Brownlee.com for performance of all CCTs.
 B06 - 6W nominal, .05 A input - 583 lm. Non-dimming.
 C09 - 9W nominal, .10 A input - 812 lm. Dimmable (0-10V).
 C13 - 13W nominal, .10 A input - 1105 lm. Dimmable (0-10V).

MOUNTING

Directly to j-box (by others). Mounting hardware included.

FINISH

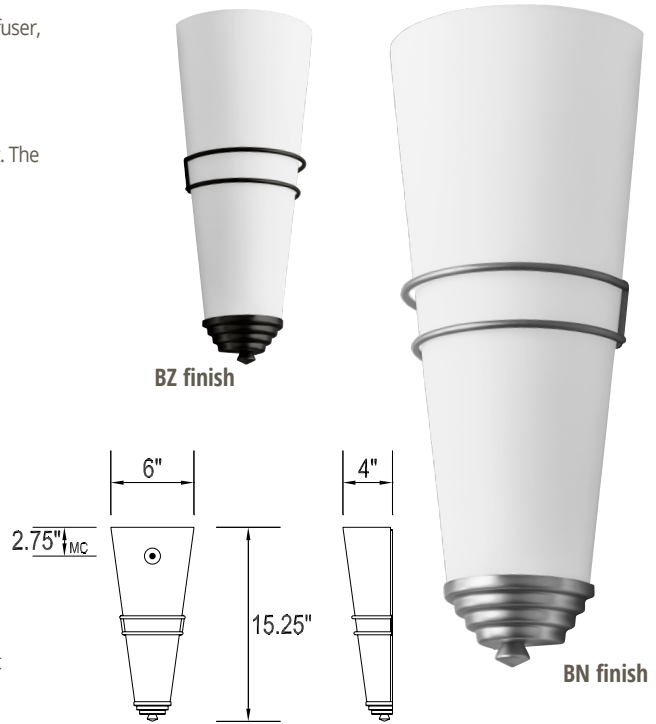
The standard finish is an electroplated brushed nickel. Options include all Brownlee paint finishes. Plated finishes such as Brushed Nickel are suitable for indoor applications only. Installation outdoors voids the Brownlee Limited Warranty.

WARRANTY

5 year limited warranty on this LED product. Consult factory for details.

ORDERING INFORMATION

PROJECT:
MODEL #:
FIXTURE TYPE:



1509 - Model - 2. - 3. - 4. - 5. (if required)

2. FINISH	3. WATTAGE	4. COLOR TEMPERATURE	5. AVAILABLE OPTIONS
STANDARD BN Brushed Nickel OPTIONAL BL Black BZ Bronze GM Gun Metal MB Metallic Bronze MG Metallic Gold NT Nickel Tone PL Platinum WH White CUSTOM Provide color sample or RAL code to match	B06 6W B Series LED C09 9W C Series LED C13 13W C Series LED	35K 3500K standard color temperature 27K 2700K color temperature 30K 3000K color temperature 40K 4000K color temperature	90R⁰ 90 CRI (3000K only) BAC¹ Buy American Compliant DTR⁴ Triac (Line Voltage) Dimming (120V) (All except B06) ES⁶ ENERGY STAR® (Not available in 90 CRI) FCL⁷ French Canadian Labels T24⁹ Title 24 Compliant (C13 in 3000K only)

Notes: (0) 90R - cannot be combined with ES or T24 (1) BAC - cannot be combined with FCL (2) BBI/BBS/BBC - cannot be combined with DTR, ECW, EXT, or T24 (3) BLD - cannot be combined with DTR, OCC, or T24 (4) DTR - cannot be combined with BBI, BBC, BBS, BLD or T24 (5) ECW - cannot be combined with BBI, BBC, or DTR (6) ES - cannot be combined with 90R, FCL, or T24 (7) FCL - cannot be combined with BAC, ES, or T24 (8) OCC - cannot be combined with BLD (9) T24 - cannot be combined with 90R, BBI, BBC, BBS, BLD, DTR, ES, or FCL (10) BBS - cannot be combined with BLD, DTR, ECW, EXT, OCC, or T24 (11) PCH/PC4 - cannot be combined with BLD or OCC

Add'l Notes: *BBI/BBS/BBC - standard BBI (and BBS) option has a minimum operating temperature of 10C/50F. BBC option has a minimum operating temperature of -20C/-4F. **BLD - Bi-Level Dimming is field adjustable from 100% to a dimmed light level of 10, 20, 30, or 50%. All units are factory set at 50%.

Specifications and dimensions subject to change without notice.

Consult your Brownlee Lighting representative for availability and ordering information.

